



Imagine A Home That Restores Well Being

With Fire and Sound Rated Greenfiber® Assemblies

quiet | comfort | protected

Your Home Should Be Your Sanctuary

We bring peace, quiet, comfort and safety to a house — while improving the health and well-being of those who call it home. Your home should be your sanctuary. A safe place to just be. Now it can with assemblies built with Greenfiber® insulation.

In addition to fire safety, wall assemblies built with Greenfiber can help effectively meet our health needs. A noisy home can drastically impact sleep quality, often linked to health issues like obesity, diabetes and heart disease. Materials are an important part of the solution. Walls that are built with denser, sound-absorbent materials do a better job at controlling airflow, reducing pathways not only for sound, but also outdoor allergens, odors and pollutants; making a home more comfortable at every level.



**60% Reduction
in Sound Power¹**

Reduced noise
from the outside



Exceptional Sound Performance & Enhanced Comfort

Greenfiber Insulation can be spray-applied or dense-packed into walls, ceilings and floors. Installed at higher densities than other fiber insulations, our product perfectly fills tight spaces around electrical, plumbing or HVAC features; reducing air infiltration and mitigating sound, while helping to equalize temperatures and isolate unwanted airflow. Our installation process eliminates the need to fit, cut or split the insulation and ensures a consistent install every time.





Advanced Fire Resistance

Greenfiber insulation is treated with minimal amounts of non-toxic, active fire retardant material that provides advanced fire resistance and qualifies Greenfiber to be used as a fire-blocking product. Our insulation meets all federal, state, and local fire safety requirements, and carries a Class 1A fire rating. In addition, our Greenfiber Fire Sound Product, FRM, is specially formulated for multi-family housing and is capable of providing a 2-hour firewall assembly.



With a flame spread of 25 or less, Greenfiber has a Class 1 Fire rating. Walls with Greenfiber insulation are one-hour (or greater) fire walls and can help control the spread of fire. Greenfiber also has a very low smoke development index level.

Fireblocking In Every Install

Greenfiber insulation products may be used as fire blocking materials in accordance with Section 718.2.1 of the 2018 and 2015 IBC, Section R302.11.1 and Section R602.8 of the 2018 and 2015 IRC, and may be used as alternatives to the fire blocking materials required in Section R302.11.1 of the 2008 and 2015 IRC.

The insulation may be placed in concealed spaces of wood or steel stud walls and partitions of combustible construction with stud spacing up to 24 inches (610 mm) on center.

FRM, our proprietary solution for superior sound and fire control, provides 2 & 3 hour firewalls in separation walls, and stairwells in multifamily commercial and hospitality spaces.



2-Hour Firewall²

More time
to escape



Only Greenfiber FRM may be used as a fireblocking material in the UL370 assembly. This product can be identified by it's proprietary a terracotta color.

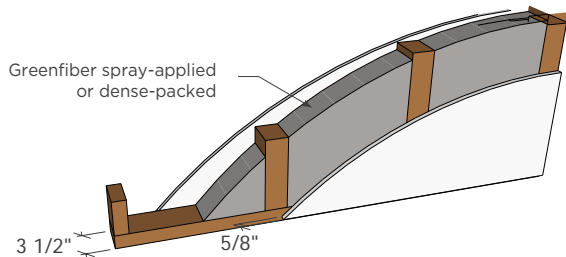


Greenfiber Wall Systems: Wood Framing



Standard 2x4 16 o.c. and 24 o.c. walls filled with SANCTUARY® by Greenfiber easily meet a 1 hour fire rating. Additionally 2x6, 2x8 or other variations can be built using UL BXUV U305 and U309 as baselines.

According to BXUV guidelines, the size of studs is a minimum unless otherwise stated in the individual designs. [Learn more at UL: https://iq.ulprospector.com/en/](https://iq.ulprospector.com/en/)



STC 36

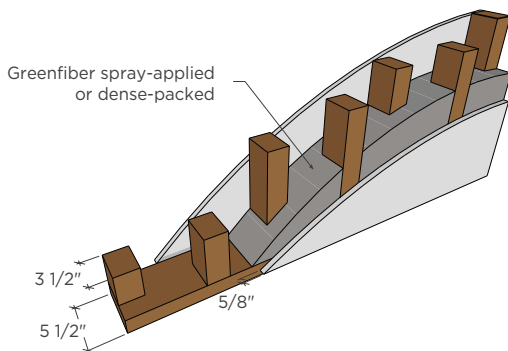
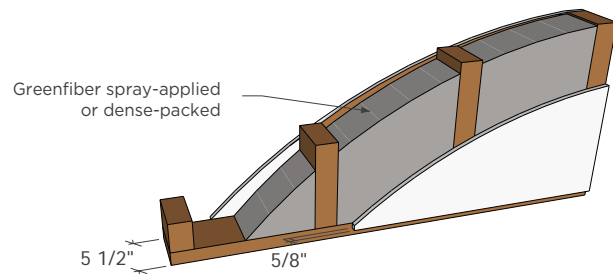
2x4 wood framed wall one layer of 5/8" gypsum, and Greenfiber spray-applied or dense-packed.

Fire rating: 1HR: UL/GA# U305
STC testing AT95845.01

STC 42+

2x6 wood framed 16 or 24" o.c. wall one layer of 5/8" gypsum, and Greenfiber spray-applied or dense-packed.

Fire rating: 1HR: UL/GA# U309
STC testing ATD0568.01J, RAL TL95-274



STC 49

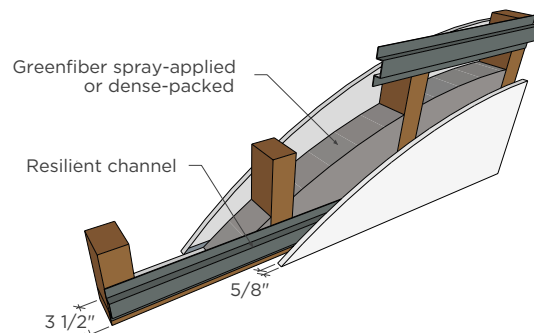
2x4 staggered studs on a 2x6 plate, wood framed wall one layer of 5/8" gypsum, and Greenfiber spray-applied or dense-packed.

Fire rating: 1HR: UL/GA# WP5513 UV323
two-layer gypsum: STC testing RAL-TL93-66

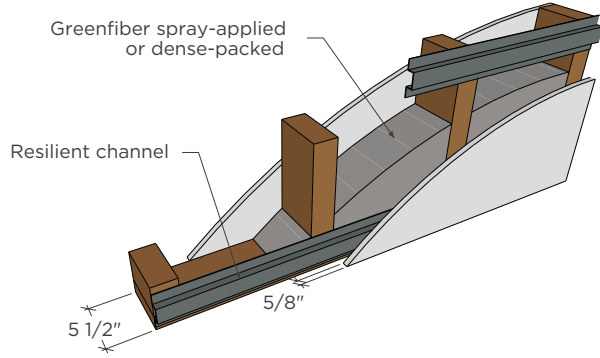
STC 51

2x4 wood framed wall with 5/8" gypsum, 25 gauge resilient channel and Greenfiber spray-applied or dense-packed.

Fire rating: 1HR: UL/GA# U305:
STC testing RAL TL03-298



Greenfiber Wall Systems: Wood Framing



STC 52

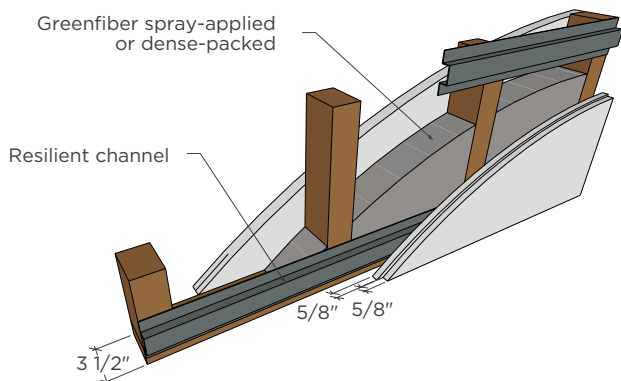
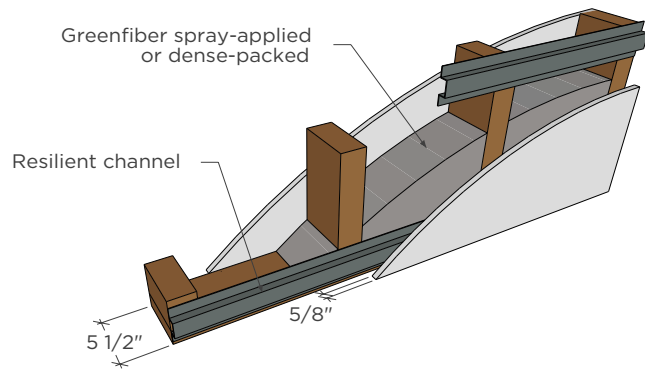
2x6 wood framed wall one layer of 5/8" gypsum, 25 gauge resilient channel one side and Greenfiber spray-applied or dense-packed.

Fire rating: 1HR: UL/GA# U305:
STC testing AT D0568.01k

STC 54

2x4 wood framed wall one layer 5/8" gypsum, 25 gauge resilient channel one side and Greenfiber dense-packed 4 PCF or spray-applied.

Fire rating: 1HR: U/GA# U305:
STC testing AT D0568.01E

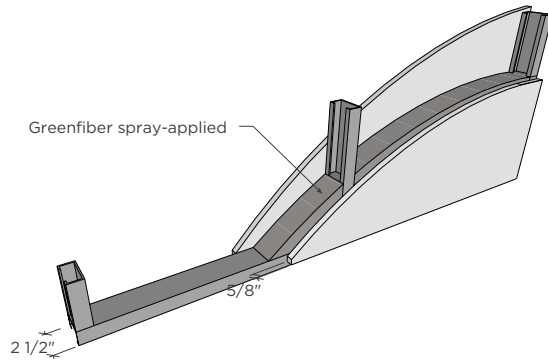


STC 58+*

2x4 wood framed wall with two layers 5/8" gypsum, 25 gauge resilient channel one side and Greenfiber dense-packed or spray-applied. Actual STC may be higher.

Fire rating: 1HR: U/GA# U301:
STC testing estimated*

Greenfiber Wall Systems: Steel Framing



STC 50

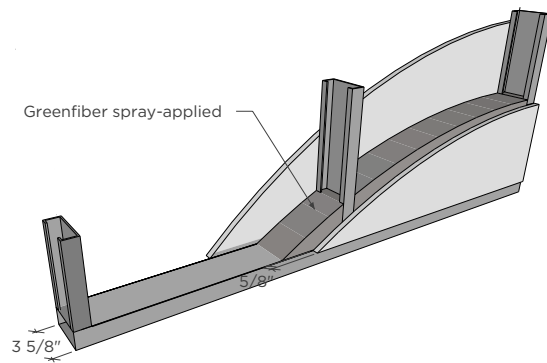
2.5" steel stud assembly 5/8" type x gypsum and Greenfiber spray-applied.

Fire rating: 1HR: U/GA# U309:
STC testing RAL TL98-7

STC 50

2.5" steel stud assembly 5/8" type x gypsum and Greenfiber spray-applied.

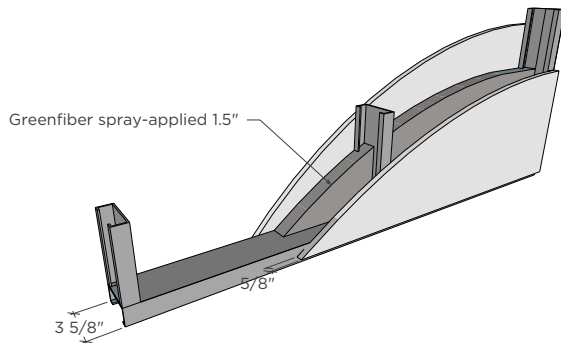
Fire rating: 1HR: U/GA# U309:
STC testing RAL TL93-70



STC 54

3 5/8" steel stud assembly, 5/8" type x gypsum Greenfiber spray-applied 1.5".

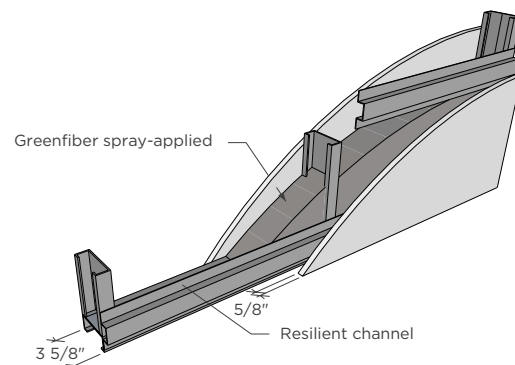
Fire rating: 1HR: U/GA# W404:
STC testing RAL TL93-187



STC 56

3 5/8" steel stud assembly, 5/8" type x gypsum, two layers one side Greenfiber spray-applied.

Fire rating: 1HR: U/GA# W404:
STC testing RAL TL93-72

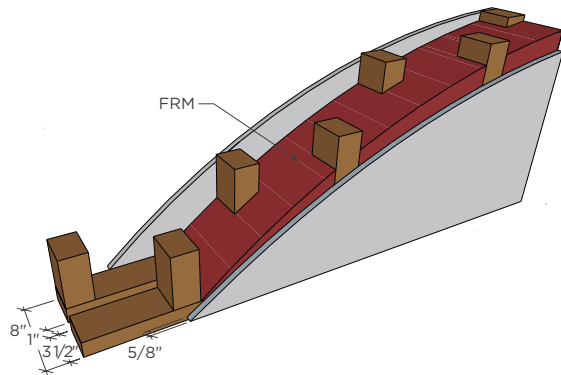


Greenfiber Wall Systems: FRM U370 Fire Rated Assemblies

SANCTUARY
TWO-HOUR FIREWALL
by GREENFIBER



Our proprietary UL tested separation wall assemblies, filled with Greenfiber FRM insulation, are perfect for multi-family and townhomes with faster construction and lower costs, reducing man hours and maximizing trade activity. Reach out to your area representative to learn more: www.greenfiber.com



STC 56

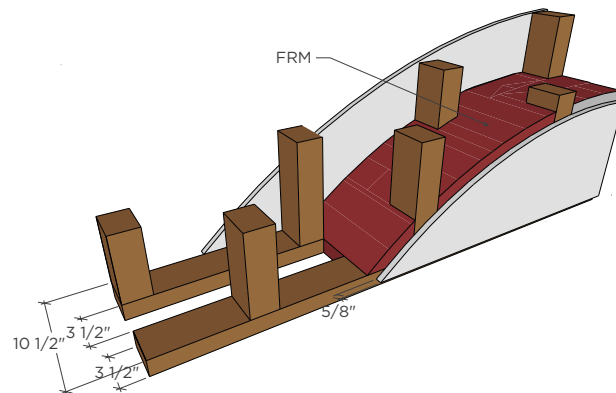
2x4 double wall 16" on center staggered.
1" gap between walls. FRM100 spray-applied
5/8" sheetrock type C or ULIX.

Fire rating: 2HR: U/GA# U370:
STC testing RAL TL06-199

STC 61

2x4 double wall 16" on center staggered.
3.5" gap between walls. FRM100 spray-applied
single layer 5/8" sheetrock type C or ULIX.

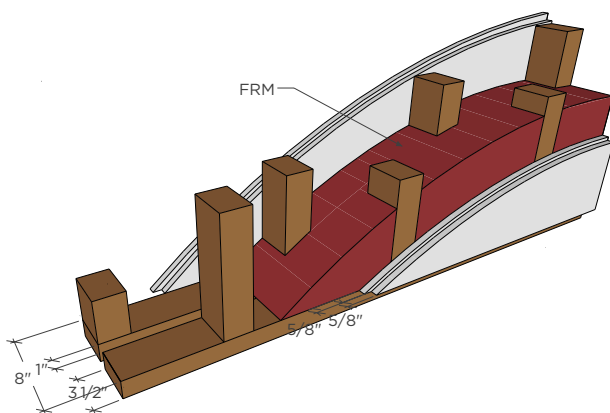
Fire rating: 2HR: U/GA# U370:
STC testing RAL TL06-xxx

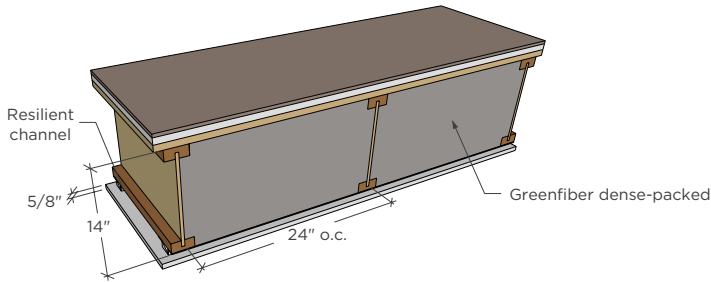


STC 63

2x4 double wall 16" on center staggered.
1" gap between walls. FRM100 spray-applied
two layers 5/8" sheetrock type C or ULIX.

Fire rating: 3HR: U/GA# U370:
STC testing RAL TL06-201





STC 53 IIC 56

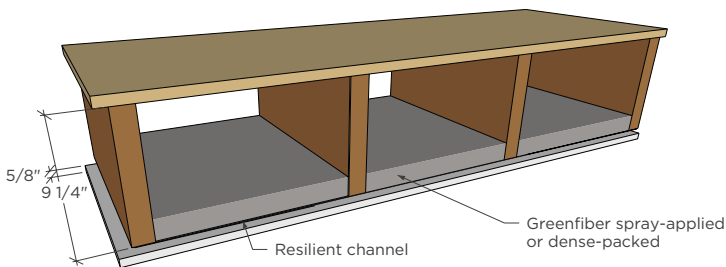
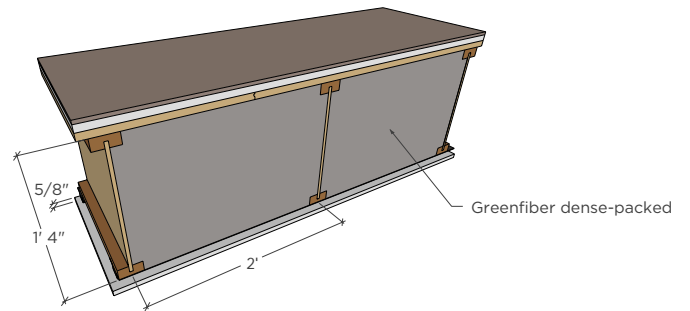
I-joist 14" on 24" centers. 3/4" T&G plywood, gypcrete and carpet. 1/2" resilient channel and 5/8" sheetrock on ceiling. Dense-packed Greenfiber.

Fire rating: HR: U/GA#: STC testing

STC 54 IIC 53

I joist 16" on 24" centers. 3/4" T&G plywood, gypcrete and carpet. 1/2" resilient channel and 5/8" sheetrock on ceiling. Dense-packed Greenfiber.

Fire rating: HR: U/GA#: STC testing



STC 51

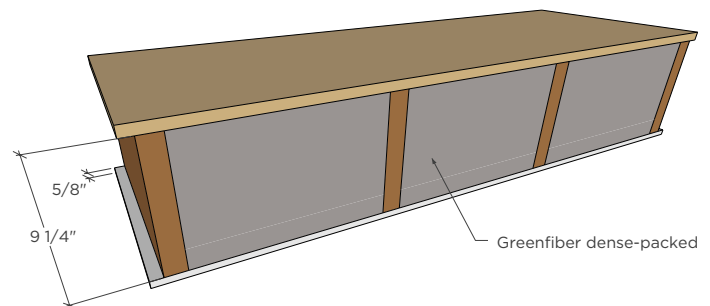
2x10 joists 23/32 in plywood. resilient channel, 5/8" type x gypsum board Greenfiber insulation spray-applied or dense-packed.

Fire rating: HR: U/GA#: STC testing RAL-TL93-63

STC 56

2x10 joists 23/32 in. CDX 5/8" type x gypsum board Greenfiber insulation dense-packed.

Fire rating: HR: U/GA#: STC testing RAL-TL93-64



Floors

Steel channel or girder floor	G524	1 hour
Wood truss chord floor	L521	1 hour
Wood truss chord floor	L528	1 hour
Wood truss chord floor	L546	1 hour
Wood truss chord floor	L576	2 hours
Wood truss chord floor	L582	1 - 1/2 hour
Wood truss chord floor	M509	1 hour
Wood truss joist floor	M512	1 hour

Wood Framed Walls

2x4 bearing wood stud wall, 16" o.c.	U305	1 hour
2x4 bearing wood stud wall, 24" o.c., firestopped	U309	1 hour
2x4 bearing wood stud wall, a 6" or 24" o.c., firestopped	U311	1 hour
2x4 bearing wood stud wall, 16" o.c.	U317	45 min
2x4 bearing wood stud wall, 16" o.c., firestopped	U321	1 hour
2x4 bearing wood stud wall, 16" o.c.	U326	1 hour
2x4 bearing wood stud wall, 16" o.c.	U330	1 hour
2x4 bearing wood stud wall, a 6" or 24" o.c., firestopped	U331	1 hour
2x4 bearing wood stud wall, 16" o.c., firestopped	U333	1 hour
2x3 or 2x4 flat wood stud wall, 24" o.c., bearing and non-bearing	U338	1 hour
2x3 or 2x4 flat wood stud wall, 24" o.c., bearing and non-bearing	U339	1 hour
2x4 bearing staggered on 2x6 plate wood stud wall	U340	1 hour
Double 2x4 bearing wood stud wall, non-staggerd, 24" o.c. with gap for sheathing or mineral panels in between	U341	2 hours
Double 2x4 bearing wood stud wall, non-staggerd, 16" or 24" o.c. with gap for 2 drywall panels in between	U342	2 hours
2x4 bearing wood stud wall, 24" o.c.	U344	1 hour
2x4 wood or non-bearing wood stud or metal Max 24" o.c.	U347	2 hour
2x4 bearing wood stud wall, 16" o.c., with foam sheathing	U354	1 hour
2x4 bearing wood stud wall, 16" o.c., with foam sheathing	U355	1 hour
2x4 bearing wood stud wall, 16" o.c.	U356	1 hour
2x4 bearing or non-bearing staggered wood stud wall 16" o.c.	U370	2 hours
Attic wall paired with U370	U377	2 hours
2 x 4 bearing wood studs 16" o.c.	V302	1 hour
2 x 4 bearing wood studs 16" o.c.	V303	1 hour

Steel Framed Assemblies

2x4 non-load bearing steel stud wall, 24" o.c.	U403	2 hours
2x4 non-load bearing steel stud wall, 24" o.c.	U411	2 hours
2x4 non-load bearing steel stud wall, 24" o.c.	U412	2 hours
2x4 non-load bearing steel stud wall, 24" o.c.	U420	1-2 hours
2x4 non-load bearing interior steel stud wall, 24" o.c.	U425	45', 1, 1-1/2 and 2 hours
2x4 bearing steel stud wall, Max 24" o.c.	U426	3 hours
C-T or C-H non-bearing steel stud walls, 24" o.c.	U428	2 hours
C-T or C-H non-bearing steel stud walls, 24" o.c.	U429	2 hours
2x4 bearing steel stud wall, 24" o.c.	U434	1 hour
2x2 non-bearing steel stud wall, 24" o.c.	U435	3-4 hours
Various dimension steel stud wall	U436	1, 2 or 3 hours
C-T or C-H non-bearing steel stud walls, 24" o.c.	U438	2 hours
2x4 bearing steel stud wall, 24" o.c.	U440	1 hour
2x4 bearing steel stud wall max, 24" o.c. with ext. foam	U460	1 hour
2x4 bearing steel stud wall, 24" o.c.	U462	3 hours
2x4 non-bearing steel stud wall, 16" or 24" o.c.	U463	3-4 hours
2x4 bearing steel stud wall, 24" o.c.	U465	1 hour
2x4 non-bearing double steel stud wall, 24" o.c.	U466	1 hour
C-H non-bearing steel stud wall, 24" OC	U467	2 hour
C-H non-bearing steel stud wall, 24" OC	U469	1 hour
2 3/4 x 2 steel channel studs wall, 24" o.c.	U47	1 1/2 hour
3 5/8 x 1 1/4 steel channel studs wall, 24" o.c.	U471	1 1/2 hour
3 5/8 x 1 5/8 bearing steel stud wall, 24" o.c.	U477	2 hour
1 5/8 x 1 1/4 non-bearing steel channel stud wall, 24" o.c.	U478	3 hour
3 5/8 x 1 1/4 steel channel studs wall, 24" o.c.	U495	1-2 hour
2 1/2 X 1 1/2 non-bearing "I" shaped steel studs, 24" o.c.	U498	2 hour
2 1/2 X 1 1/2 non-bearing "I" shaped steel studs, 24" o.c.	U499	1 hour
2 X 4 bearing wood stud wall, 24" o.c.	U528	1 hour
non-bearing steel structure	U622	1 hour
non-bearing steel structure	U646	1 hour
non-bearing steel structure	U647	2 hour
non-bearing steel structure	U648	3 hour
3 5/8 non-bearing steel channel studs, 16" o.c.	U651	1-2 hour

Learn About Building a SANCTUARY® Home

We're excited to offer you a new way to elevate your customers' home experience, to differentiate yourself from the competition and to build homes that promote happiness and well-being: SANCTUARY® Homes by Greenfiber. To learn more about the wellness-branded advantages of a SANCTUARY® Home, connect with a representative by visiting greenfiber.com/contact-us/contact-sales-rep or call 800-228-0024.

S A N C T U A R Y
HOME



CONNECT TODAY TO LEARN MORE

greenfiber.com/sanctuary ■ 800-228-0024

(1) In field testing on identical 2x4 exterior wall types Greenfiber® R-13 Stabilized Spray-In Insulation outperforms R-15 unfaced fiberglass batts by 4 NIC rating points. 4 NIC pts ~ 60% reduction in sound power. The weak point in the assembly such as flanking through windows and doors will diminish the value of the reduction in sound power. Reduction sound power is achieved through retrofitting, dense-packing or spray-applying Greenfiber® into walls (contractor installation is recommended for these applications). See in manufacturer's installation instructions for full details on how to install to meet specifications.

(2) UL Evaluation Report, 2015 & 2018 IRC, 2015 & 2018 IBC.